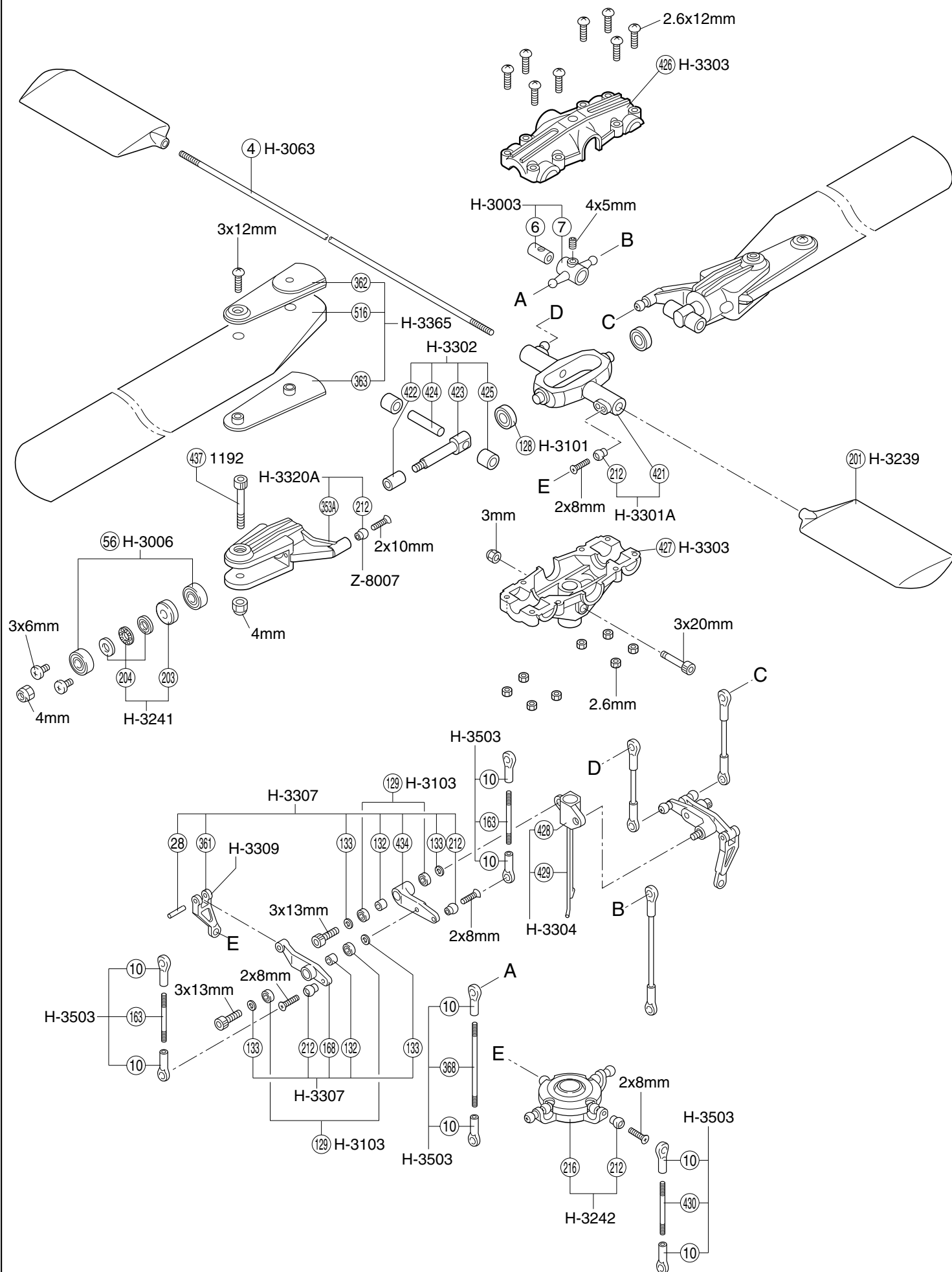
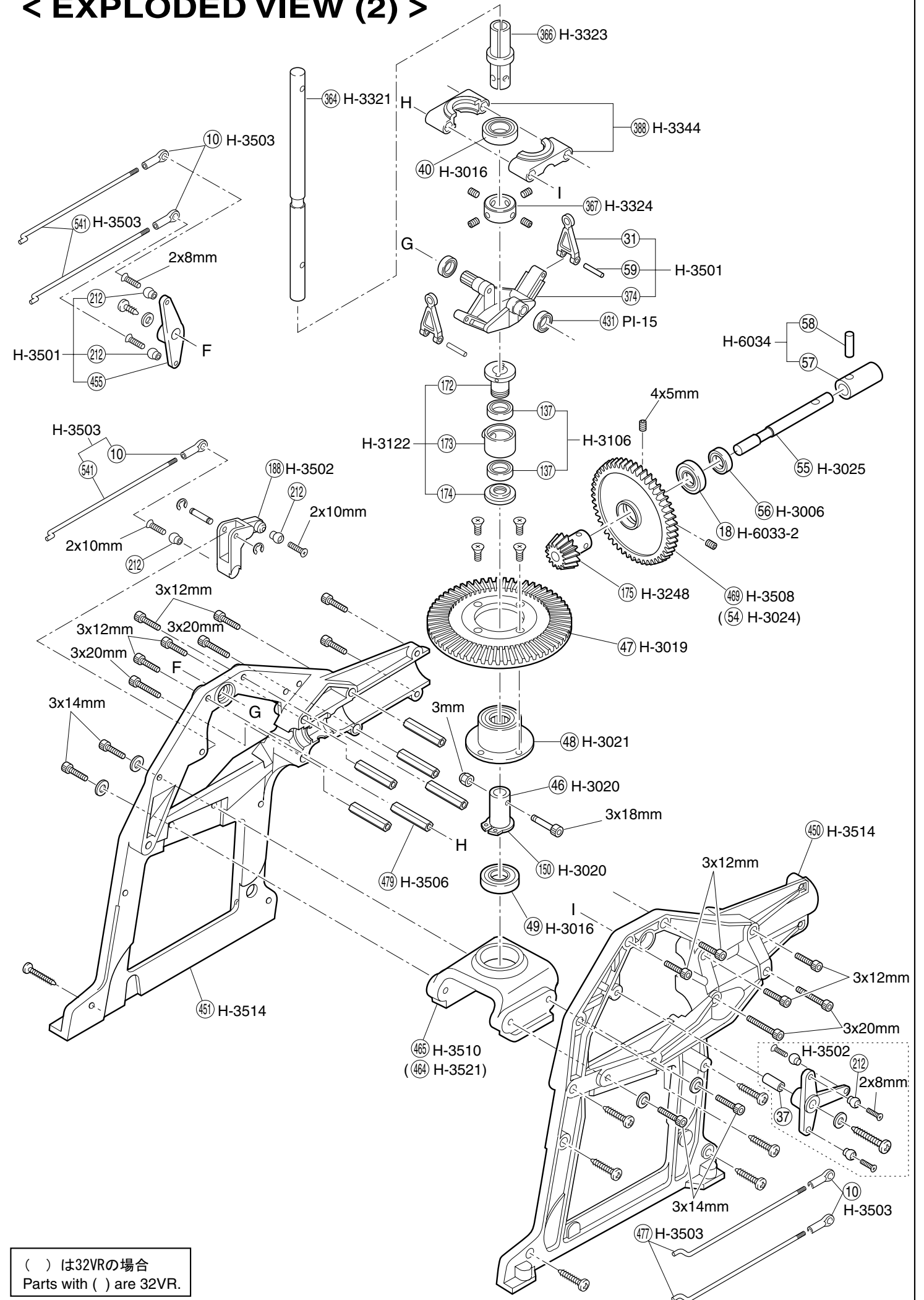


< EXPLODED VIEW (1) >

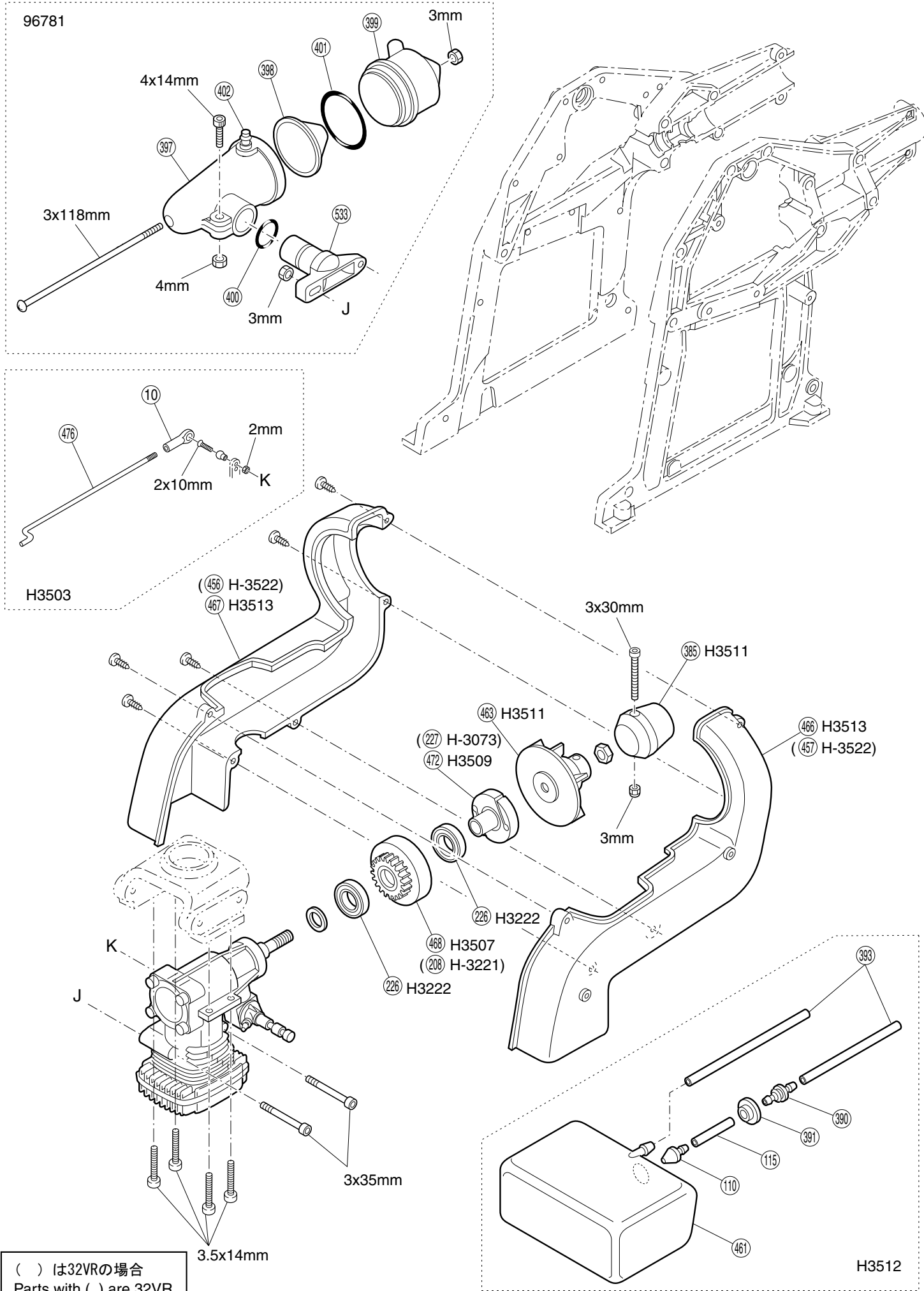


< EXPLODED VIEW (2) >



() は32VRの場合
Parts with () are 32VR.

< EXPLODED VIEW (3) >



< EXPLODED VIEW (4) >

